

VDM6-12/24 (Model)

Indoor medium voltage permanent magnetic vacuum circuit breaker



Asia Electrical Power Equipment (Shenzhen) Co., Ltd
亚洲电力设备（深圳）有限公司

Address: Bldg 28, Lishan Industrial Zone, Xinghai road, Nanshan District, Shenzhen, P.R.China
Tel: +86 755 86061018/86060122/86060136-225 Fax: +86 755 86060133
E-mail: sales@aepe.com.cn sznaiji@hotmail.com webstation: www.aepe.com.cn

General Description

VDM6-12/24 type indoor medium voltage permanent magnetic vacuum circuit breaker, the indoor switchgear with the rated voltage of 12kV、24kV and the three-phase alternating current 50/60Hz, is used to switch on/ off all kinds of electrical load with different nature and suitable for the electrical network construction and reform projects for city network, country network, mining area and railway etc. especially for the fields that takes the frequent operation within the range of working current and have the strict demand on short-circuit drop-out operating times. This product absorbs the advanced technology and technology home and abroad to be intelligentized, greatly reliable, longevous and maintenance-free. There are two types of structures of fixed installation style and draw-out hand buggy style, and no pollution for surroundings when using, "a green product" for environmental protection.

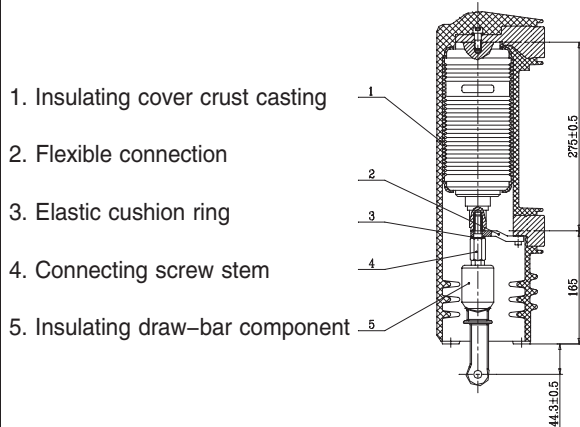
This product is in conformity with the standards of GB311.1-311.6、GB1984、GB2706、GB/T3309、GB7675、GB/T11022、JB3855、DL402.

Specification

No.	Item	Unit	Parameters	
1	Rated voltage	kV	12	24
2	Rated current	A	1250 1600 2500 3150	630 1250 1600 2500
3	Rated frequency	Hz	50/60	
4	1min Power frequency withstand voltage	Common value	42	50
		Across insulate distance	48	60
5	Lightning impulse withstand voltage	Common value	75	125
		Across insulate distance	85	145
6	Rated short circuit breaking current (virtual value)	kA	25 31.5 40	16 25 31.5
7	Rated making current (peak)	kA	63 80 100	40 63 80
8	Rated withstand current (peak)	kA	63 80 100	40 63 80
9	Rated heat-stable time 4s (virtual value)	kA	25 31.5 40	16 25 31.5
10	Mechanism life	times	100000	

Classical Combination

The three-pole structure of vacuum circuit breaker is graphically represented as below. For each pole, epikote consists of vacuum arc-chute、capstan loop、insulating support etc. to be an organic entirety which makes arc-chute free of impulse and effect from the outside.



Service Conditions

- A. Altitude \leq 2000 meters;
- B. Ambient temperature: $-25^{\circ}\text{C} \sim +40^{\circ}\text{C}$;
- C. Relative humidity:
daily average value \leq 95%
monthly average value \leq 90%
- D. Ambient air not apparently polluted by vapor、chemically corrosive and flammable gas and no drastic shake;
- E. Earthquake intensity \leq 8 degree.

Test Report

